

## Quick Reference Guide For **REGO** Repair Kits

Make sure you are thoroughly trained before you attempt any valve repair or maintenance. Improper conditions or procedures can cause accidents resulting in property damage and personal injury.

Multivalves - Filler Valve <span style="float:right">3</span>		
Part Number	Kit Number	Kit Contents
6532 Series 6533 Series 6542 Series 6543 Series 8555 Series* *(Mfd. Oct. 1990 or before) 8555DL Series	6542B-50 w/upper body	Gaskets; spring; spring guide; stem and seat disc assembly; upper body
	6542B-80 w/o upper body	Gaskets; spring; spring guide; stem and seat disc assembly
6555 Series 8555 Series* *(Mfd. after Oct. 1990)	8555-50 w/ upper body	Gaskets; spring; spring guide; stem and seat disc assembly; upper body
	8555-80 w/o upper body	Gaskets; spring; spring guide; stem and seat disc assembly
G8475 Series 8596AR16.0	8475-50 w/ upper body	Gaskets; seat disc & retainer assembly; spring; upper body
	8475-80 w/o upper body	Gaskets; seat disc & retainer assembly; spring

Filler Valves		
Part Number	Kit Number	Kit Contents
7547 Series (Obsolete)	7547B-80	Gaskets; spring; seat disc & retainer assembly
6579 7579	7579-50 w/ upper body	Gaskets; seat disc & retainer assembly; spring; upper body
	7579-80 w/o upper body	Gaskets; seat disc & retainer assembly; spring
7647 Series	7647B-80	Gaskets; spring; seat disc & retainer assembly



Seal cap made of tough, resilient molded plastic. Protects threads and internal working parts. Caps are designed to contain normal tank pressures, and must be kept on valves at all times.

Long-wearing gasket permits handtight connection of cap and hose coupling




Safety groove is designed to shear below the ACME thread, leaving the valve seats closed and unaffected if the delivery truck pulls away with the hose connected.

Seat disc of special synthetic composition is extra thick for longer life.

Valve guide is precision machined to assure positive seal

Exclusive swing-away lower back check valve for extra fast filling is provided on Models 6579 and 6587. Differs from conventional design by swiveling to a vertical position when opened.



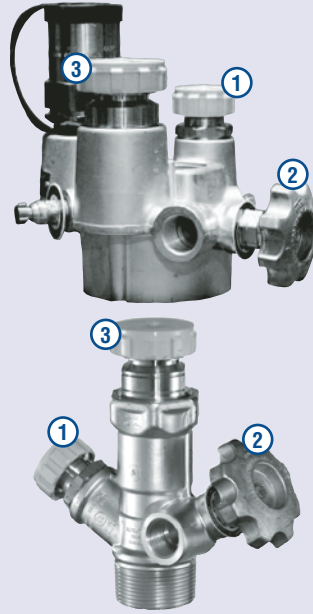
Seal cap made of tough, resilient molded plastic. Protects threads and internal working parts. Caps are designed to contain normal tank pressures, and must be kept on valves at all times.

Long-wearing gasket permits hand-tight connection of cap and hose coupling.

Seat disc of special synthetic composition is extra thick for longer life.

Valve guide is precision machined to assure positive seal.

Vapor Return Valves		
Part Number	Kit Number	Kit Contents
7573A	7573A-81	Gaskets; spring; seat disc & retainer assembly



1 Multivalves - Vapor Equalizing		
Part Number	Kit Number	Kit Contents
7556V Series G8475 Series 8593AR16.0	8475-51A	Body; gaskets; spring; stem and seat disc assembly
	8555-80 w/o upper body	Gaskets; spring; stem and seat disc assembly

2 Multivalves - Service Valves		
Part Number	Kit Number	Kit Contents
6532A Series, 6533A Series, 6542A Series, 6543A Series, 6555D Series, 7556V Series, 8555D Series, 8555DL Series	19100-50B	Bonnet; stem and o-ring assembly; handwheel; self-tapping screw
	19104-50	Complete MultiBonnet assembly-bonnet assembly; handwheel; nameplate; selftapping screw
6532R Series, 6533R Series, 6542R Series, 6543R Series, 6555R Series, 7556R Series, G8475R Series, 8555R Series, 8593AR16.0 Series, 9101R Series	19104-80	Upper packing with seal rings - For MultiBonnet only

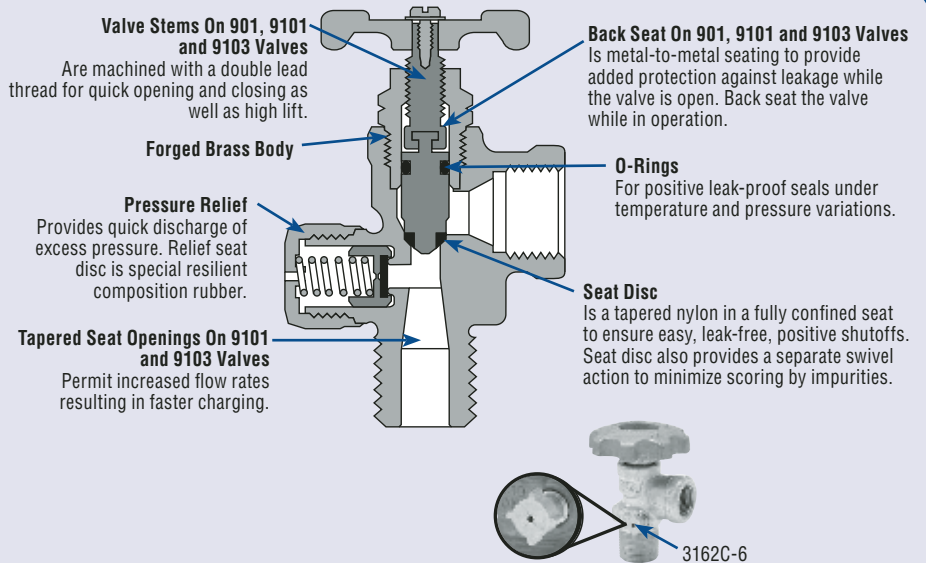
Multivalves					
Multivalve Part No.	Replaced by	Container Connection	Repair Kits		
			Service Valve	Filler Valve	Vapor Equalizing
1470LV, 1480V, 1470W, 1480W	G8475RV, G8475RW	2-1/2"M.	3100-80A, bonnet-diaphragm-stem 3100-80B, diaphragm, washer 3100-81K, conversion, bonnet assy	1475-80, kit	2418-51, assy
2180	8555 for 200# Cyl, 6543 for 420# Cyl	3/4"	no repair parts available replace due to age		
2418	G8475RV	2-1/2"F.	7128-5, diaphragm assy	n/a	2418-51, assy
2465, 2486	G8475RV	2-1/2"F.	7128-5, diaphragm assy	n/a	
2550	G8475RV	2-1/2"M.	7128-5, diaphragm assy	n/a	2418-51, assy
2555 Series	6532, 6533, 6542, 6543	3/4", 1"	replace due to age		
2557 Series	no replacement	1-1/2"	no repair parts available		
2577	6532, 6533, 6542, 6543	3/4", 1"	no repair parts available replace due to age		
2580, 2581	8555D/8555R	3/4"	no repair parts available		
2593, 2594	8593AL16.0	1-1/2"	3100-80A, bonnet-diaphragm-stem 3100-80B, diaphragm, washer 3100-81K, conversion, bonnet assy	1475-80, kit	2418-51, assy
2418-51, assy	8593AR16.0 not a direct replacement	1-1/2"	3100-80A, bonnet-diaphragm-stem 3100-80B, diaphragm, washer 3100-81K, conversion, bonnet assy	1475-80, kit	2418-51, assy
6477A 6533D, 6542D, 6543D	n/a	2-1/2"M.	8100-50, bonnet assy, handwheel	8475-50, -80	8475-51A, kit
7555	8555D/R	3/4"	903-50 (lg), 903-51 (sm), kits	6542-50, -80	
7555, mfg before 1962		3/4"	replace due to age		
G8475, mfg before 1962		2-1/2"F.	8100-50, bonnet assy, handwheel	8475-50, -80	8475-51A, kit
8477, mfg before 1962	G8475RV	2-1/2"F.	8100-50, bonnet assy, handwheel	8475-50, -80	8475-51A, kit
8484, mfg before 1962	no replacement*		8100-50, bonnet assy, handwheel		8475-51A, kit
8484A	no replacement*		19100-50B/19104-50, kit		8475-51A, kit
8555, mfg before 1962	8555D/R		no repair parts available replace due to age		
8555S			903-50 (lg), 903-51 (sm), kits	6542B-50, -80	
8593K, 8594K, mfg before 1962	8593AR16.0		8100-50, bonnet assy, handwheel	8475-50, -80	8475-51A, kit
8594	8593AR16.0		8100-50, bonnet assy, handwheel		
8594/K, mfg after 1962	8593AR16.0		19100-50B/19104-50, kit	8475-50, -80	8475-51A, kit

\*Tanks equipped with obsolete 8484 & 8484A series valve can be retained in service. Please call your Tarantin for information.

## Quick Reference Guide For **REGO** Repair Kits

Make sure you are thoroughly trained before you attempt any valve repair or maintenance. Improper conditions or procedures can cause accidents resulting in property damage and personal injury.

Cylinder and Service Valves		
Part Number	Kit Number	Kit Contents
901 Series 903 Series 9106CO	903-50	Bonnet; stem and disc assembly; large handwheel; self-tapping screw
	903-51	Bonnet; stem and disc assembly; small handwheel; self-tapping screw
9101 Series 9107K8A	19100-50B	Bonnet; stem and disc assembly; small handwheel; self-tapping screw
	19104-50	Complete MultiBonnet assembly-bonnet assembly; handwheel; nameplate; self-tapping screw
3100 Series (Obsolete)	3100-81K Conversion Kit	Bonnet and stem assembly; gasket (Conversion Assembly)
7100 Series (Obsolete)	3100-80A	Diaphragm; bonnet and stem assembly
	3100-80B	Diaphragm assembly, back seat; washer
9101P5 P5H	19100-50B	Bonnet; stem and seat disc assembly; large handwheel; self-tapping screw
	19101-50	Bonnet; stem and seat disc assembly; small handwheel; self-tapping screw

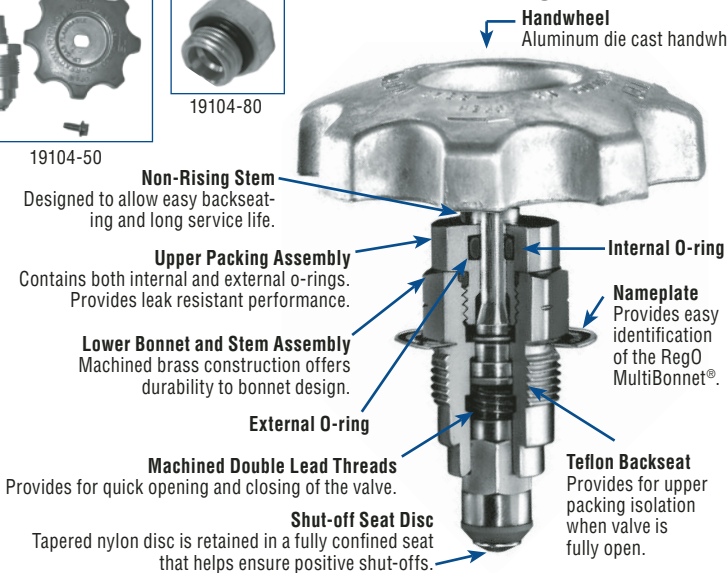


19104-50



19104-80

### Design Features of the MultiBonnet®



### Features & Benefits

The MultiBonnet® is designed to allow quick and easy repair of bonnet packings in certain Multivalves® and service valves on active propane systems. It allows you to repair valve bonnet stem o-ring leaks in minutes, without interrupting gas service to your customers.

- Eliminates the need to evacuate tanks or cylinders to repair the MultiBonnet® packing.
- Two section design allows repair of MultiBonnet® assemblies on active propane systems without interruption in gas service or shutting off appliances downstream. This helps to prevent time consuming relighting of pilots, special appointments, and call backs.
- Cost of replacing the MultiBonnet® packing is only 1/3 as much as replacing a complete bonnet assembly—not including time cost savings, which can be substantial.
- Available on certain new Multivalves® and service valves as well as repair assemblies for many existing RegO® valves.
- UL listed as a component of valve assembly.

### Here's How The MultiBonnet® Works

- When the valve is fully open, only the lower stem will rise and backseat against the teflon washer which isolates the upper packing.
- This allows you to remove the upper packing nut, which contains the o-rings, and replace it while the valve is fully open and gas service not interrupted.

### Q. What valves can you use MultiBonnet® on as a replacement?

- A. Any valve that has the letter "R" suffix designation and the following:
- |        |       |       |       |        |        |
|--------|-------|-------|-------|--------|--------|
| 6532A  | 6533A | 6542A | 6543A | 7556VR | G8475V |
| G8475W | 8555D | 8593A | 9101C | 9101D  | 9300Y  |

Repair Kits			
Figure No.	Part Number	Description	Fits Valve
1	3100-80A	Bonnet	RegO 3100 & 7100 Series
2	3100-80B	Seat	RegO 3100 & 7100 Series
3	3100-81K	Conversion assembly. Converts 3100-80A from diaphragm to "O" Ring Seal.	
4	8100-50	Bonnet	RegO 8100 Series
5	19101-50	Bonnet	RegO 9100 Series Forklift
6	19104-50	Bonnet	RegO 9100 Series
7	19104-50	Packing for 19104-50 multibonnet	
8	19100-50B	Bonnet	RegO 9100 Series
9	903-50	Bonnet	RegO 900 Series
10	7128-5	Dia. Assy	Old style 2400 & 2500

